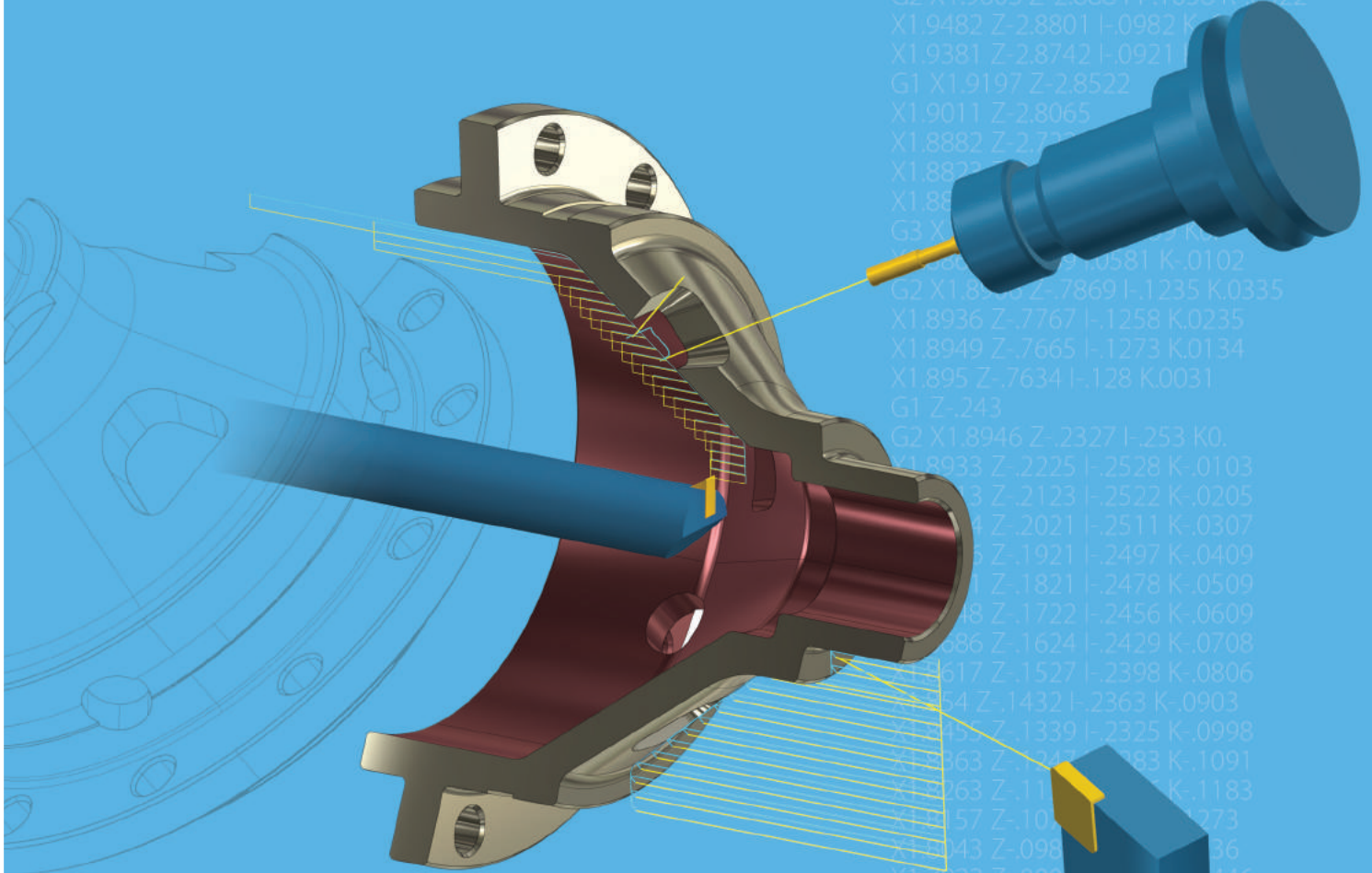


MILL-TURN

RUN WITH CONFIDENCE. RUN WITH PRIDE.



The most widely-used CAD/CAM software in the world gives you the confidence to automate your complex programs on today's high-powered, multi-streamed, multitasking machining centers. Program it right the first time, every time.

Mastercam

POWERED BY MASTERCAM'S
DYNAMIC MOTION™ TECHNOLOGY



Z-6069
G1 Z-6266
X1.9655 Z-6968

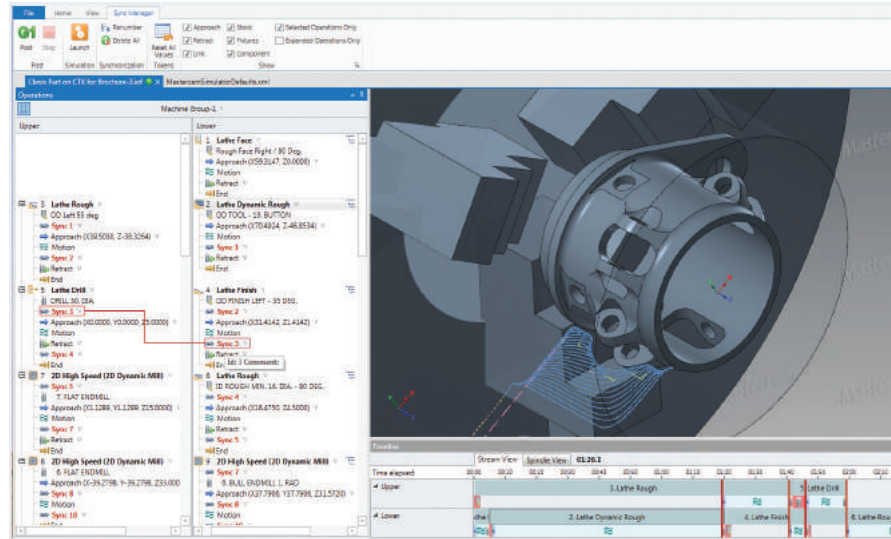


MASTERCAM MILL-TURN SIMPLIFIES YOUR MOST COMPLICATED PROJECTS.

Mastercam Mill-Turn simplifies today's high-powered, multi-stream machining centers.

Mill-Turn delivers the best in shop-tested cutting techniques combined with the latest in machine and toolpath management and verification.

Your workflow is easy. Choose your machine and Mastercam Mill-Turn automates part transfers, toolplanes, stock definition, and setup. Then apply your toolpaths and syncing, verify your project with simulation, and post your code. Changes along the way are fast and easy — the way programming should be.

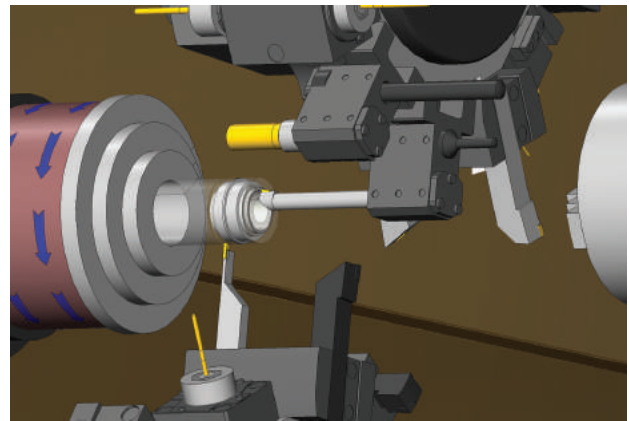


Get the most out of your machines with Sync Manager.

Mill-Turn's Sync Manager is a user-friendly way to optimize part cycle times and avoid collisions before your part ever reaches the machine. Easily navigate our Gantt-style timeline and vertical stream interface to coordinate operations and track cycle time estimates.

See it's right. Know it's right.

All of your machine's components and your project's machined stock are simulated from the safety of your desktop, ensuring a safe and secure machining experience. You can identify potential collisions, see your cutting motion and tailstock, and explore ways to optimize your processes with simulation. Also, you will be able to view all streams and statistics of the entire machining process, and have the capability to jump to any point in the machining process with the click of a button.



Get the most from your machine with multi-station and half-index tool support.

For more information, visit MastercamMillTurn.com