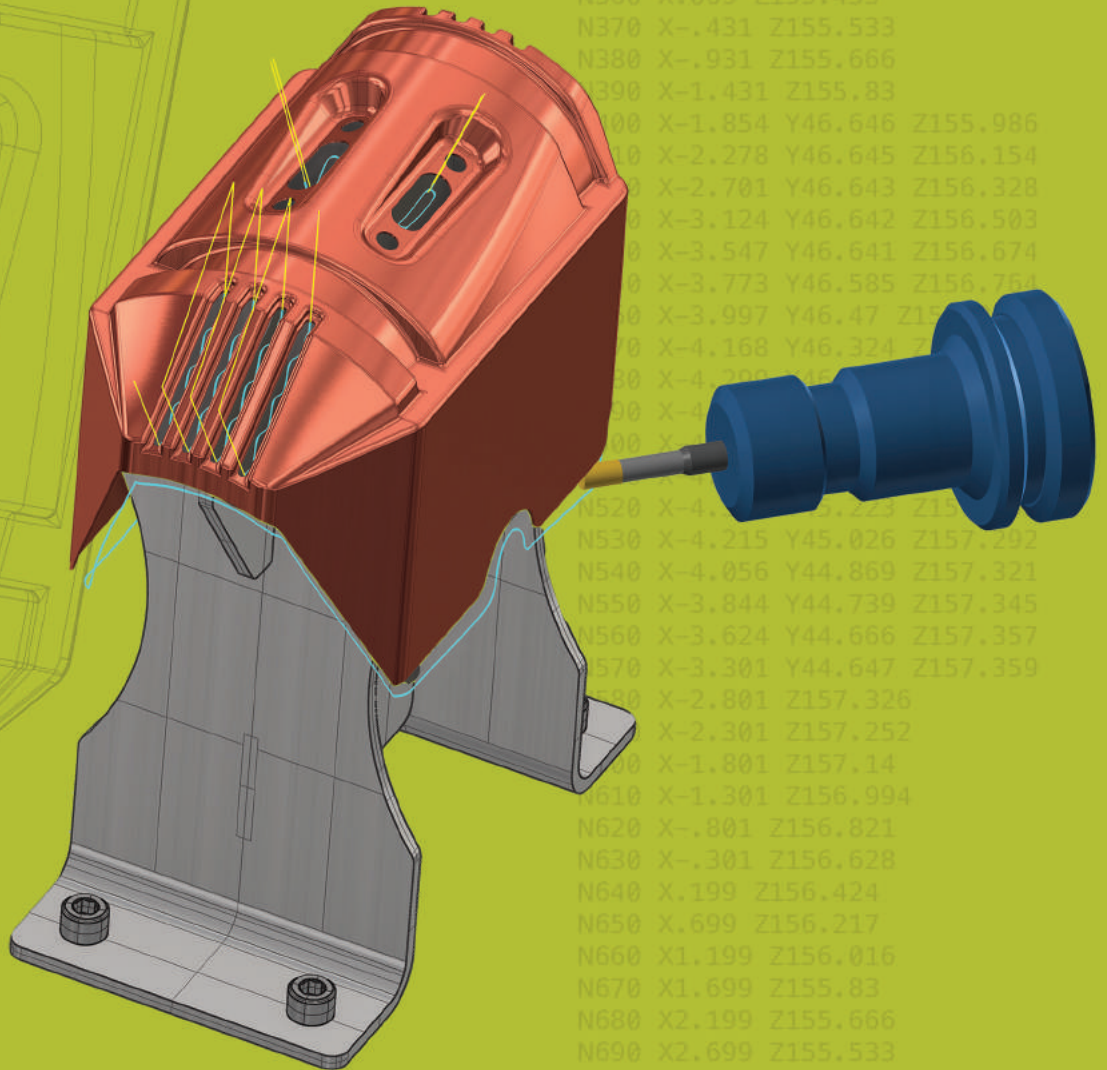


# SIMPLE OR COMPLEX ROUTER MACHINING MADE EASY



Mastercam Router brings complex routing functionality with an easy-to-use interface.

**Mastercam**

POWERED BY MASTERCAM'S  
DYNAMIC MOTION™ TECHNOLOGY



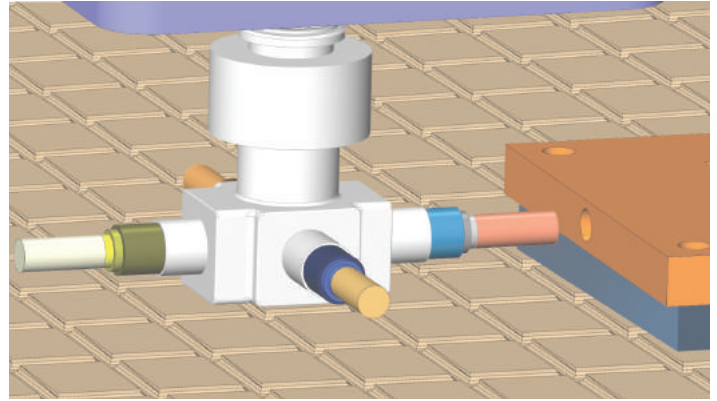


## FLEXIBLE AND EXPANDABLE

Mastercam Router offers solutions for all your 2D, 3D, or multiaxis challenges — from wood to composites.

Once you program a part, no matter how complex, you can modify any element of the job and immediately get updated toolpaths without slowing down. You can also build a library of your favorite machining strategies and apply them to new models.

Mastercam's powerful Dynamic Motion technology not only helps extend tool life and reduce machine wear, but helps eliminate tool dwell damage as well. **Automatic Toolpathing** brings in parts from today's top design packages to help speed flat panel work.



Mastercam Router streamlines multiple tool programming including block drills and aggregate heads.

### A comprehensive package of powerful tools.

2D machining can range from simple to very complex. Mastercam Router delivers powerful 2D tools from contouring, pocketing, and drilling to automated, feature-based, solid model programming.

For 3D machining, Mastercam Router gives you streamlined, efficient 3D roughing and finishing, including automated leftover stock cleanup.

Mastercam's Multiaxis interface gives you complete control over the three crucial elements of multiaxis machining: cut pattern, tool axis control, and collision avoidance.



Part and toolpath nesting increase project yields and profitability.



With your standalone license of **Mastercam Router**, you now have the option of also running the corresponding version of **Mastercam for SOLIDWORKS®**.

Contact a local Mastercam expert at [Mastercam.com/Resellers](http://Mastercam.com/Resellers)